

ORCA DRAIN

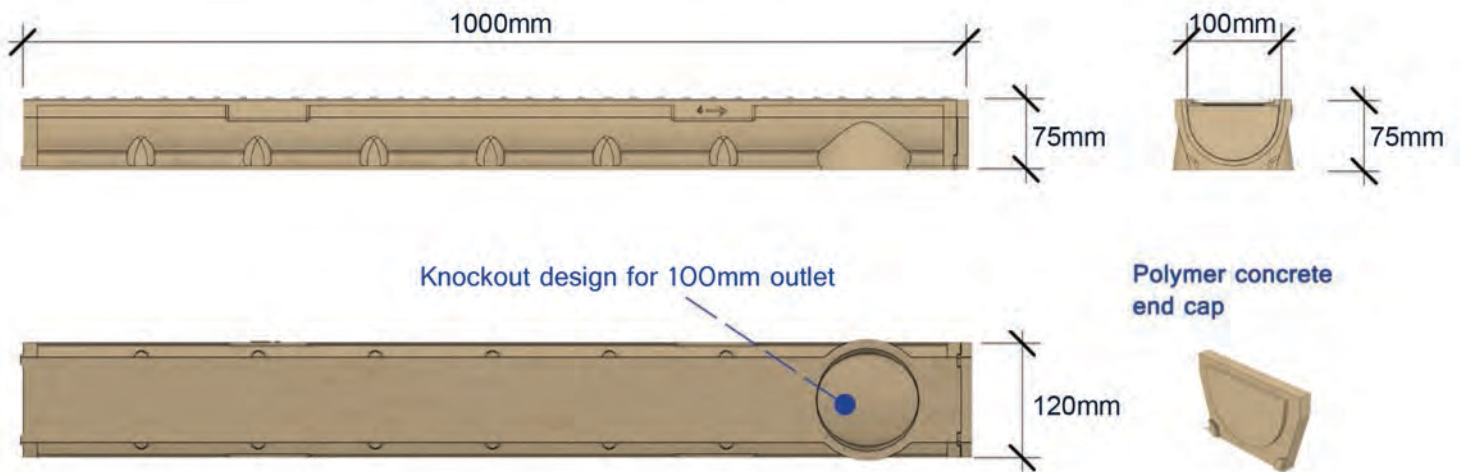
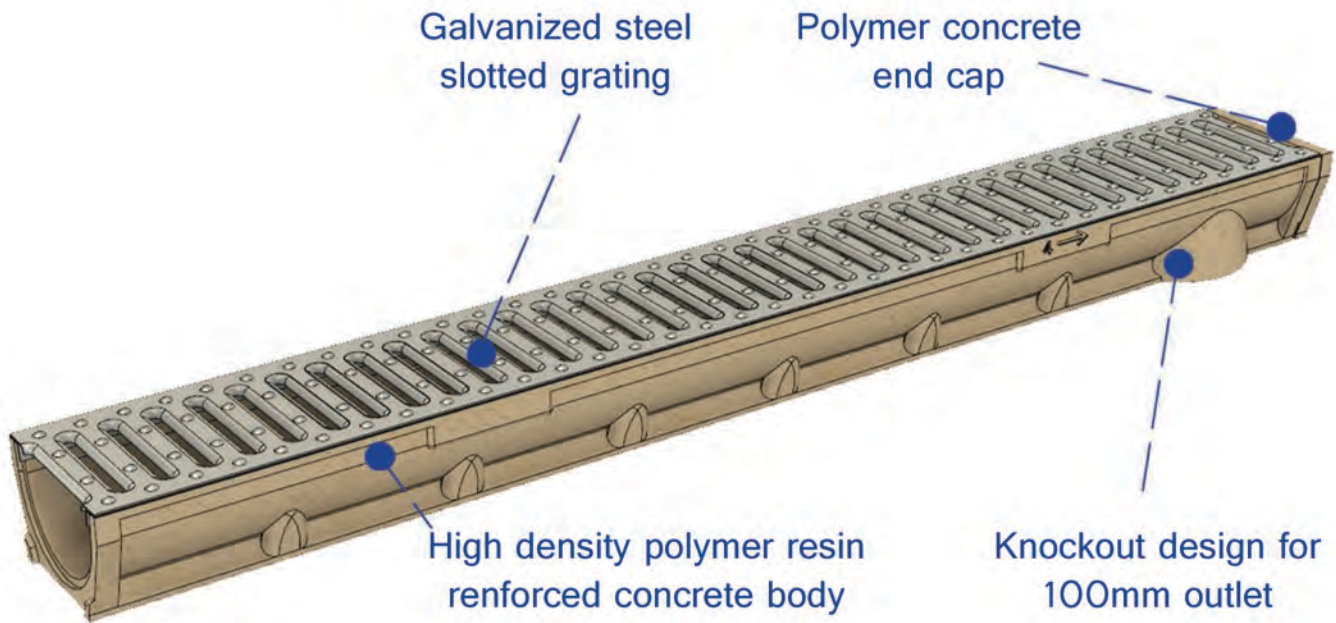
Domestic channel




KHD LANDSCAPE
ENGINEERING
SOLUTIONS

ORCA DRAIN

Domestic polymer concrete channel system



Orca domestic channel

Type	CCP Part No	Name	Description	Load class	Width C/O	Length O/A	Width O/A	Start depth	End depth	Weight kgs
	400100	400100	Domestic polymer concrete channel	A10	100mm	1000 mm	120mm	75mm	75mm	6.5