

VersiPave®

Adjustable
Paver Support



Applications

VersiPave® GP is used to support a wide range of concrete, natural stone and marble pavers on:

- Roofs
- Plaza decks
- Balconies
- Swimming pool surrounds
- Verandahs
- Patios

Advantages

VersiPave® GP eliminates the use of bedding sand and cement screeds reducing dead loads on building structures.

VersiPave® GP ensures rapid drainage of surface water and avoid ponding even when the substrate has inadequate slope. Rainwater drains may be positioned at any position under the pavers as they will be concealed. Pavers are easily removed, minimising inconvenience to building occupants when inspection of and repairs to waterproofing membranes are necessary.

VersiPave® GP eliminates the need to use joint sealants or grouting. Expansion and contraction of the pavers can take place without creating unsightly surface cracks and avoiding the need for regular inspections and maintenance.

VersiPave® GP reduces efflorescence, algae growth and paving installation costs.

VersiPave® GP creates an air space between the substrate and the paving slab improving thermal and acoustic insulation.

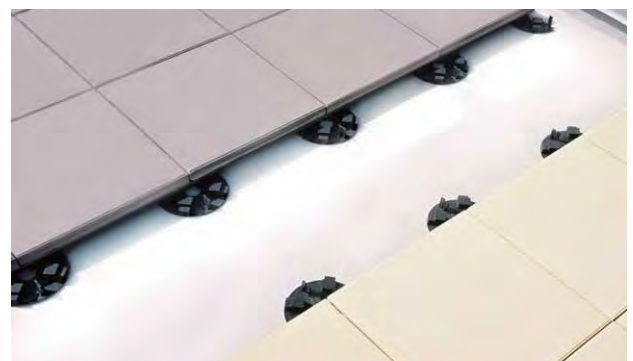
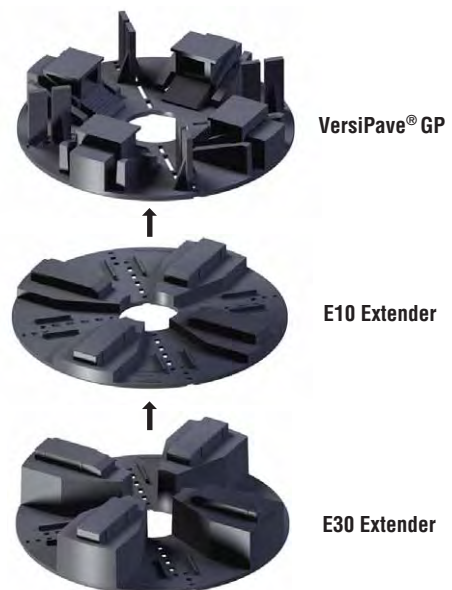
VersiPave® GP incorporates integrated chocks that are individually adjustable to ensure that each paver is level.



VersiPave® GP is a durable and lightweight pedestal support system made from 100% recycled plastics. **VersiPave® GP** allows the easy placement of pavers on roofs, plaza decks, balconies and other areas where well-drained and level surfaces are required. They eliminate the use of heavy bedding sand or sand cement screeds.

VersiPave® GP consists of a circular base divided into quadrants. Each pedestal has four 24mm high raised rectangular supports on which “snap in” movable chocks are positioned. The chocks may be adjusted in 1mm increments to ensure that the paved surface is level.

VersiPave® GP has a height range of 24mm to 35mm and is easily extended up to 150 mm using proprietary E10 and E30 **VersiPave®** Extenders.



VersiPave® GP supporting pavers

Properties

Material	Polypropylene	
Colour	Black (polypropylene) Clear (polycarbonate)	
Weight	VersiPave® GP + 4 chocks - 130gm	
	10mm Extender - 80gm	
	30mm Extender - 140gm	
Height		
VersiPave® GP		24 - 35mm
VersiPave® E10 Extender		10mm
VersiPave® E30 Extender		30mm
Base Diameter	162mm	
Marginal Adjustments	1.0mm	
Spacer Height	40mm	
Spacer Width	4mm	

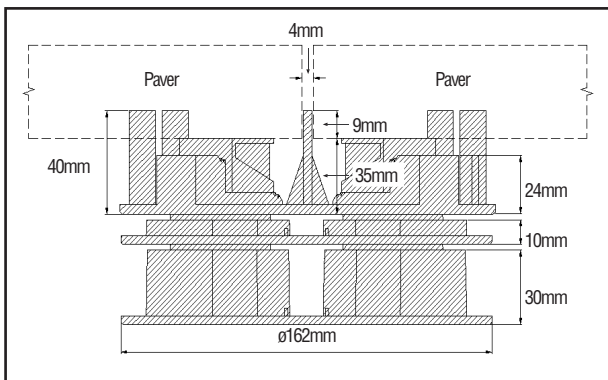
Compressive Strength

VersiPave® GP with Extenders up to 150mm height have a compressive strength \geq 2.0tonnes

Biological resistance Resistant to moulds and algae

Chemical Resistance Resistant to oils, acids, alkalis and bitumen

Flammability Non-flammable



VersiPave® GP and VersiPave® Extenders can be sectioned for use along edges and corners

Installation Procedures

- Determine the number of **VersiPave® GP** required based on the size of each paver in relation to the total area to be paved.
- Use sight lines to mark the intersections of the corners of each paver to be laid.
- Where a paver to be supported is in a corner or along an edge, break the **VersiPave® GP** and Extender units along the relevant quadrant line/s.
- Place the pavers on **VersiPave® GP** and simply adjust the individual chocks in increments of 1mm from 24mm up to 35mm on the supports to ensure that each paver is level.
- Commence paving by positioning the first paver in a corner and subsequent pavers along a wall edge.
- If necessary, use **VersiPave® Extenders** to bring up **VersiPave® GP** to the levelling line.

Any product warranty for VersiPave® GP is voided where pavers are supported beyond 35mm without the use of 10 and or 30mm Extenders

Note: The information provided in this brochure is based on current knowledge and experience and does not infer any legally binding assurance or warranty, expressed or implied. Intending purchasers should verify whether any changes to specifications or applications or otherwise have been made since this literature was issued. The products in this brochure are manufactured using specified recycled plastics under detailed quality control standards and procedures. Whilst **VersiPave® GP** is designed for its intended use, the design calculations shall be the responsibility of the Specifier and/or User.



Singapore: +65 6356 2800
Australia: +61 2 9648 2073

www.elmich.com



Distributed by:

KEN HITCHCOCK DESIGNS P/L
1279 MALVERN ROAD
MALVERN VIC 3144
TEL: 03 9822 2748
FAX: 03 9822 3748
EMAIL: khitchcock@ozemail.com.au
www.stonemERCHANTS.com.au